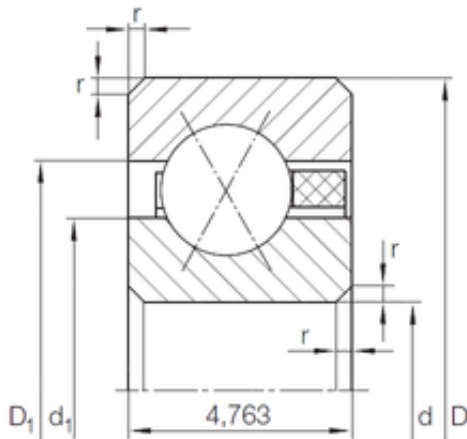




NTN Driveshaft CORP.

38,1 mm x 47,625 mm x 4,763 mm INA CSXAA 015 TN angular contact ball bearings

Bearing No. CSXAA 015 TN



CSXAA 015 TN Bearing 2D drawings and 3D CAD models

Size	38.1x47.625x4.763 mm
Bore Diameter	38,1 mm
Outer Diameter	47,625 mm
Width	4,763 mm
d	38,1 mm
D	47,625 mm
B	4,763 mm
C	4,763 mm
d1	41,7 mm
r min.	0,38 mm
D1	44,1 mm
Weight	0,02 Kg
Basic dynamic load rating (C)	2850 kN
Basic static load rating (C0)	2700 kN