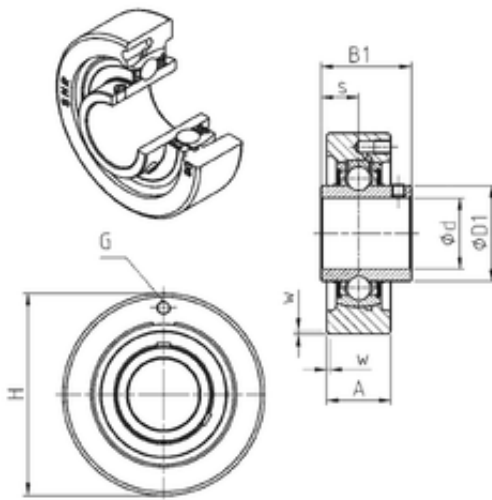




NTN Driveshaft CORP.



UCC319 Bearing 2D drawings and 3D CAD models

SNR UCC319 bearing units

Bearing No. UCC319

Bore Diameter	95 mm
d	95 mm
s	41 mm
A	72 mm
B1	103 mm
D1	126,5 mm
H	240 mm
W	4 mm
Thread (G)	M10x1
Weight	15,9 Kg
Basic dynamic load rating (C)	156 kN
B	103 mm
A3	4 mm
A5	62 mm
G	M10x1
s1	51.5 mm
S	41 mm
SW	8 mm
C	156 kN
C0	122 kN
T min.	-20 ° C
T max.	100 ° C
Recommended tightening torque for set screw	64 Nm
Designation of housing	C319-
Designation of bearing	UC319G2



NTN Driveshaft CORP.