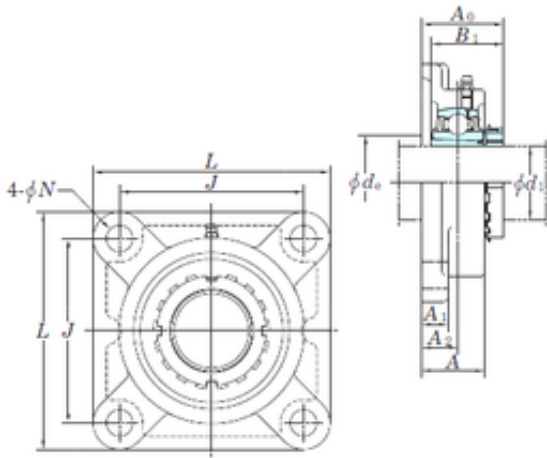




NTN Driveshaft CORP.

KOYO UKF218 bearing units

Bearing No. UKF218



UKF218 Bearing 2D drawings and 3D CAD models

Bore Diameter	80 mm
d	80 mm
A0	82 mm
d3	102 mm
A	68 mm
A1	25 mm
B1	65 mm
J	187 mm
L	235 mm
N	23 mm
Thread (G)	M20
A2	40 mm
Weight	11,4 Kg
Basic dynamic load rating (C)	96,1 kN
Basic static load rating (C0)	71,5 kN