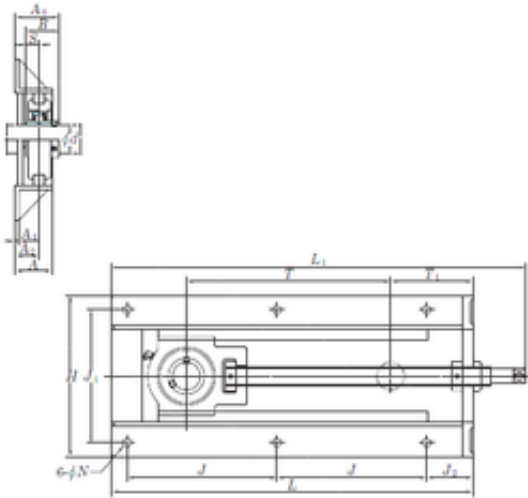




NTN Driveshaft CORP.

KOYO UCTH204-12-150 bearing units

Bearing No. UCTH204-12-150



UCTH204-12-150 Bearing 2D drawings and 3D CAD models

| | |
|-------------------------------|----------|
| Bore Diameter | 19.05 mm |
| Width | 88 mm |
| d | 19.05 mm |
| A0 | 46,3 mm |
| T1 | 88 mm |
| A | 50 mm |
| A1 | 6 mm |
| B | 31 mm |
| H | 200 mm |
| J | 117 mm |
| L | 318 mm |
| L1 | 376 mm |
| N | 12 mm |
| S | 12,7 mm |
| T | 153 mm |
| Bolt (G) | M10 |
| A2 | 28 mm |
| J1 | 154 mm |
| J2 | 65 mm |
| Weight | 6,7 Kg |
| Basic dynamic load rating (C) | 12,8 kN |
| Basic static load rating (C0) | 6,65 kN |