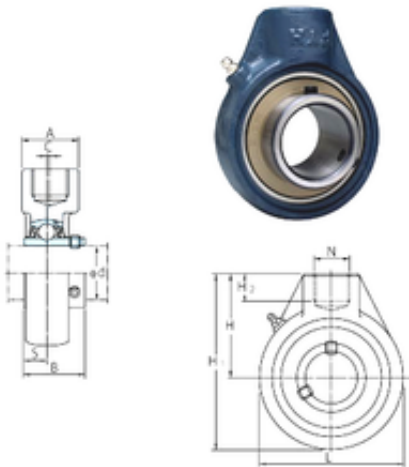




NTN Driveshaft CORP.

FYH UCHA207 bearing units

Bearing No. UCHA207



UCHA207 Bearing 2D drawings and 3D CAD models

Bore Diameter	35 mm
Width	42,9 mm
d	35 mm
A	40 mm
B	42,9 mm
C	– mm
H	70 mm
H1	116 mm
H2	19 mm
L	92 mm
S	17,5 mm
Bolt (G)	PF 3/4
Weight	1,2 Kg
Basic dynamic load rating (C)	25,7 kN
Basic static load rating (C0)	15,4 kN
Category	Hanger Unit Bearings
Inventory	0.0
Manufacturer Name	FYH BEARING UNITS
Minimum Buy Quantity	N/A
Weight / Kilogram	1.2
Product Group	M06110
Mounting Method	Set Screw
Housing Material	Cast Iron
Mounting Thread	3/4 Straight Pipe Female
Rolling Element	Ball Bearing
Insert Material	Steel



NTN Driveshaft CORP.

Expansion / Non-expansion	Non-expansion
Housing Style	Hanger Unit
Relubricatable	Yes
Insert Part Number	UC207
Seals	Single Lip Contact
Rating	Normal Duty
Other Features	Single Row Spherical NBR Seal Has Slinger
Long Description	35MM Bore; 70MM Base to Center Height; Set Screw; Hanger Unit; Cast Iron Housing; Ball Bearing; 92MM Housing Outside Diameter; 42.9MM Length Thru Bore; 116MM Housing Overall Length; Steel Insert; UC20
Inch - Metric	Metric
Category	Mounted Hanger Units
UNSPSC	31171513
Harmonized Tariff Code	8483.20.40.40
Noun	Bearing
Keyword String	Hanger
Manufacturer URL	http://www.fyhbearings.com
Manufacturer Item Number	UCHA207
Weight / LBS	2.646
Length Thru Bore	1.689 Inch 42.9 Millimeter
Base to Center Height	2.756 Inch 70 Millimeter
Housing Overall Length	4.567 Inch 116 Millimeter
Housing Outside Diameter	3.622 Inch 92 Millimeter
Bore	1.378 Inch 35 Millimeter