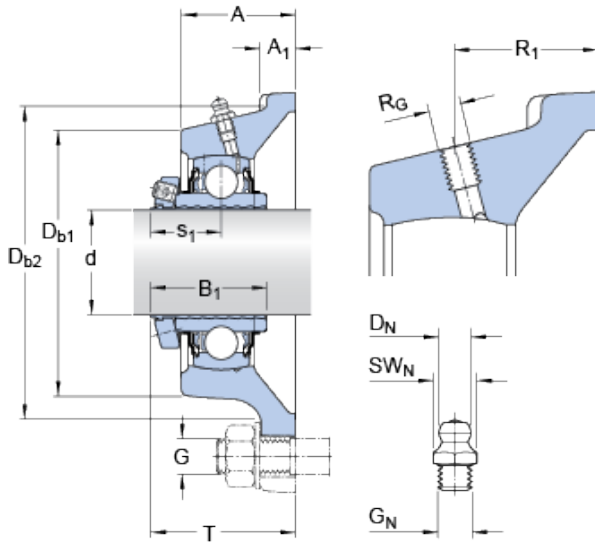




NTN Driveshaft CORP.



SKF FY 2.3/16 LF/AH bearing units

Bearing No. FY 2.3/16 LF/AH

Size	55.562x47.5x16 mm
Bore Diameter	55,562 mm
Outer Diameter	47,5 mm
Width	16 mm
d	55.562 mm
A	47.5 mm
A ₁	16 mm
B ₁	49 mm
D _{b1}	122 mm
D _{b2}	134 mm
J	130 mm
L	162 mm
H	19 mm
s ₁	29 mm
T	60 mm
J ₆	148 mm
J ₇	45 mm
N ₄	4 mm
D _N	6.579 mm
SW _N	11.112 mm
G _N - 1/8-27 NPT	1/827 NPT
R _G - 1/8-27 NPT	1/827 NPT
R ₁	31 mm
Basic dynamic load rating - C	43.6 kN

FY 2.3/16 LF/AH Bearing 2D drawings and 3D CAD models



NTN Driveshaft CORP.

Basic static load rating - C_0	29 kN
Fatigue load limit - P_u	1.2 kN
Limiting speed	3600 r/min
Mass bearing unit	3.2 kg
Thread - G_2	M6
Hexagonal key size for grub screw - H	3 mm