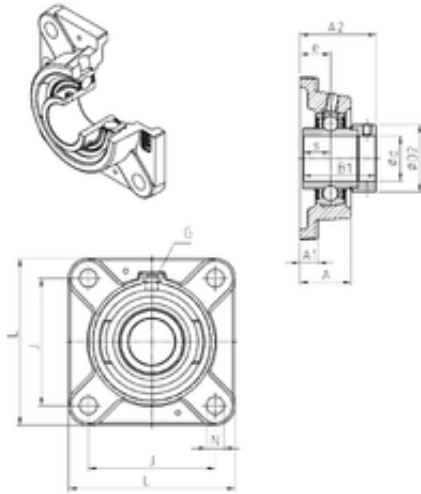




NTN Driveshaft CORP.

SNR EXFE202 bearing units

Bearing No. EXFE202



EXFE202 Bearing 2D drawings and 3D CAD models

| | |
|-------------------------------|---------|
| Bore Diameter | 15 mm |
| d | 15 mm |
| e | 19 mm |
| s | 17 mm |
| A | 29,5 mm |
| A1 | 10 mm |
| B1 | 43,5 mm |
| D2 | 33,3 mm |
| J | 63,5 mm |
| L | 86 mm |
| N | 11,5 mm |
| Thread (G) | R1/8" |
| A2 | 45,5 mm |
| Weight | 0,8 Kg |
| Basic dynamic load rating (C) | 12,8 kN |