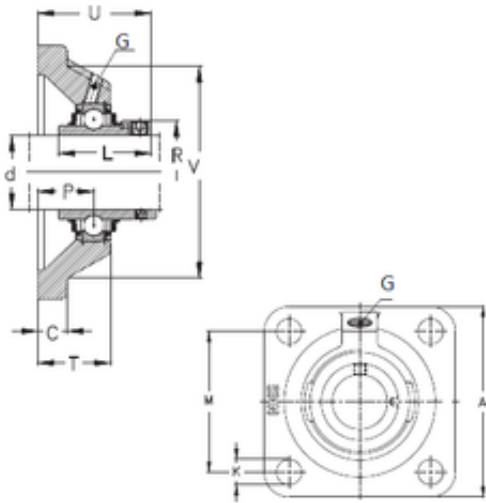




NTN Driveshaft CORP.

NKE RCJ65 bearing units

Bearing No. RCJ65



RCJ65 Bearing 2D drawings and 3D CAD models

Bore Diameter	65 mm
d	65 mm
P	38 mm
V	165 mm
U	82,6 mm
K	18 mm
A	188 mm
C	18 mm
L	66,1 mm
M	150 mm
R	96 mm
T	52 mm
Thread (G)	R1/8 "