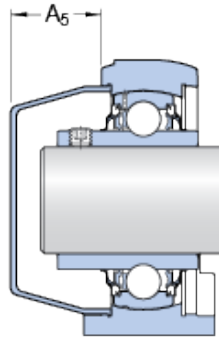
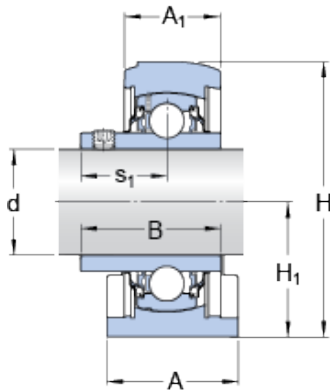




NTN Driveshaft CORP.



SKF SYFWK 50 LTA bearing units

Bearing No. SYFWK 50 LTA

Size	50x54x37.5 mm
Bore Diameter	50 mm
Outer Diameter	54 mm
Width	37,5 mm
d	50 mm
A	54 mm
A ₁	37.5 mm
B	51.6 mm
H	115 mm
H ₁	57.2 mm
J	101.6 mm
L	135 mm
s ₁	32.6 mm
Basic dynamic load rating - C	35.1 kN
Basic static load rating - C ₀	23.2 kN
Fatigue load limit - P _u	0.98 kN
Limiting speed	2200 r/min
Calculation factor - f ₀	14
Weight	1.2 kg
Size thread - G	M16
Thread length - G ₁	23.5 mm
Hexagonal key size for grub screw - H	5 mm
Recommended tightening torque for grub screw	16.5 N · m

SYFWK 50 LTA Bearing 2D drawings and 3D CAD models



NTN Driveshaft CORP.

Housing	SYFWK 510 L
Bearing - YAR 210-2RF/VE495	YAR 2102RF/VE495
Category	Bearings
Inventory	0.0
Manufacturer Name	SKF
Minimum Buy Quantity	N/A
Weight / Kilogram	0
Product Group	M06110
Housing material	Composite for food and beverage
A ₁	37.5 mm
A ₅	42.4 mm
H ₁	57.2 mm
s ₁	32.6 mm
Basic dynamic load rating C	35.1 kN
Basic static load rating C ₀	23.2 kN
Fatigue load limit P _u	0.98 kN
Mass bearing unit	1.2 kg
Thread size attachment end G	M16
Thread length G ₁	23.5 mm
Thread grub screw G ₂	M10x1
Hexagonal key size for grub screw N	5 mm