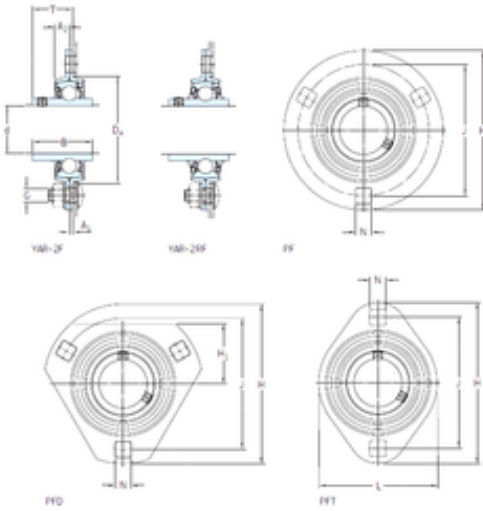




NTN Driveshaft CORP.



PFT 40 RM Bearing 2D drawings and 3D CAD models

SKF PFT 40 RM bearing units

Bearing No. PFT 40 RM

Bore Diameter	40 mm
Width	36 mm
d	40 mm
Da	91 mm
A1	3,5 mm
B	36 mm
G	12 mm
H	148 mm
H1	– mm
J	119 mm
L	104 mm
N	13,5 mm
T	28,8 mm
A2	10 mm
Weight	0,78 Kg
Basic dynamic load rating (C)	30,7 kN
Basic static load rating (C0)	19 kN
Housing material	Pressed steel
D _a min.	87 mm
A ₁	3.5 mm
A ₂	10 mm
B ₄	7 mm
s ₁	25.3 mm
Basic dynamic load rating C	30.7 kN
Basic static load rating C ₀	19 kN
Fatigue load limit P _u	0.8 kN



NTN Driveshaft CORP.

Limiting speed	4800 r/min
Mass bearing unit	0.79 kg
Thread grub screw G ₂	M6x0.75
Hexagonal key size for grub screw N	3 mm
Recommended tightening torque for grub screw	4 N · m
Recommended diameter for attachment bolts, mm G	12 mm
Recommended diameter for attachment bolts, inch G	0.5 in