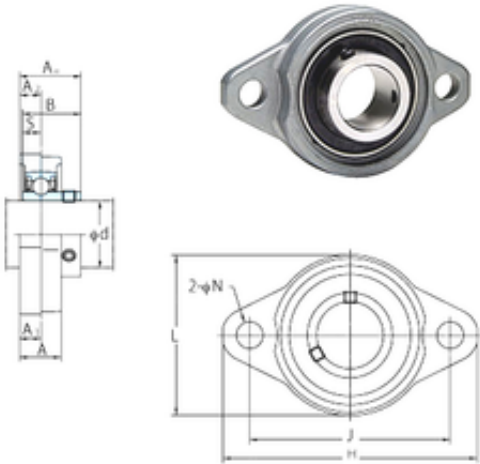




# NTN Driveshaft CORP.

## FYH UFL001 bearing units

Bearing No. UFL001



UFL001 Bearing 2D drawings and 3D CAD models

Bore Diameter	12 mm
d	12 mm
A0	16 mm
A	12 mm
A1	6 mm
B	15 mm
H	63 mm
J	48 mm
L	38 mm
N	7 mm
S	5 mm
Bolt (G)	M6
A2	6 mm
Weight	0,065 Kg
Basic dynamic load rating (C)	5,1 kN
Basic static load rating (C0)	2,4 kN
Category	Mounted Units & Inserts
Inventory	0.0
Manufacturer Name	FYH BEARING UNITS
Minimum Buy Quantity	N/A
Weight / Kilogram	0
Product Group	M06110