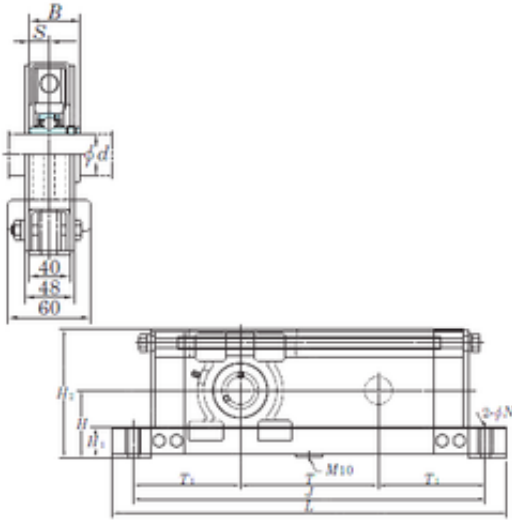




NTN Driveshaft CORP.



UCTL207-300 Bearing 2D drawings and 3D CAD models

KOYO UCTL207-300 bearing units

Bearing No. UCTL207-300

Bore Diameter	35 mm
Width	42,9 mm
d	35 mm
T1	150 mm
B	42,9 mm
H	92 mm
H1	44 mm
H2	176 mm
J	600 mm
L	660 mm
N	15 mm
S	17,5 mm
T	300 mm
Bolt (G)	M12
Weight	9 Kg
Basic dynamic load rating (C)	25,7 kN
Basic static load rating (C0)	15,4 kN