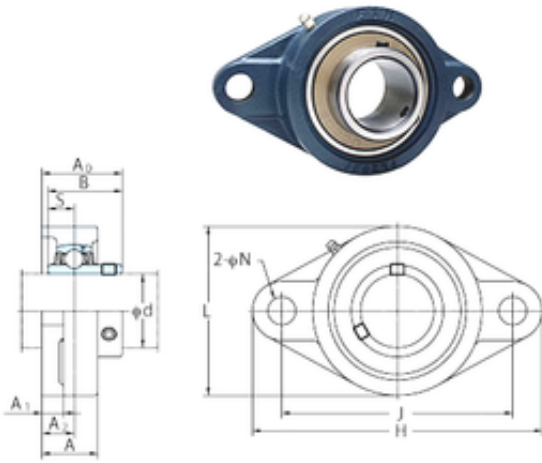




NTN Driveshaft CORP.

FYH UCFLX05-16 bearing units

Bearing No. UCFLX05-16



UCFLX05-16 Bearing 2D drawings and 3D CAD models

| | |
|-------------------------------|---------|
| Bore Diameter | 25,4 mm |
| d | 25,4 mm |
| A0 | 40,2 mm |
| A | 30 mm |
| A1 | 13 mm |
| B | 38,1 mm |
| H | 141 mm |
| J | 117 mm |
| L | 83 mm |
| N | 12 mm |
| S | 15,9 mm |
| Bolt (G) | 13,9 |
| Bolt (G) | M10 |
| A2 | 18 mm |
| Weight | 1,1 Kg |
| Basic static load rating (C0) | 19,5 kN |