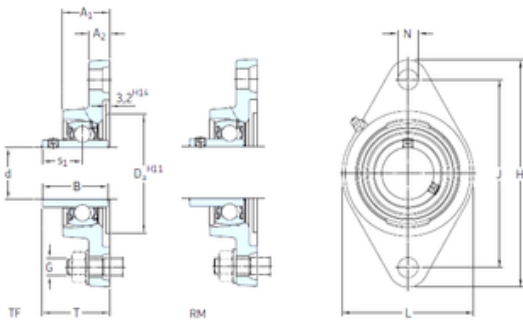




NTN Driveshaft CORP.

SKF FYT 1.3/16 FM bearing units



Bearing No. FYT 1.3/16 FM

FYT 1.3/16 FM Bearing 2D drawings and 3D CAD models

Bore Diameter	30,163 mm
d	30,163 mm
Da	141,5 mm
s1	46,7 mm
A1	32,5 mm
B1	35,7 mm
G	26,7 mm
H	116,9 mm
J	83 mm
L	12,7 mm
N	10 mm
T	19,5 mm
A2	13 mm
Weight	0,97 Kg
Basic dynamic load rating (C)	11,2 kN
Basic static load rating (C0)	0,475 kN
Category	Flange Block Bearings
Inventory	0.0
Manufacturer Name	SKF
Minimum Buy Quantity	N/A
Weight / Kilogram	0.95
Product Group	M06110
Number of Mounting Holes	2
Mounting Method	Eccentric Collar
Housing Style	2 Bolt Flange Block
Rolling Element	Ball Bearing



NTN Driveshaft CORP.

Housing Material	Cast Iron
Expansion / Non-expansion	Non-expansion
Mounting Bolts	7/16 Inch
Relubricatable	Yes
Insert Part Number	YET 206-103
Seals	M Seal
Housing Configuration	1 Piece Solid
Pilot Configuration	No Pilot
Inch - Metric	Inch
Long Description	2 Bolt Flange Block; 1-3/16" Bore; 4.6" Bolt Circle; 4-19/32" Bolt Spacing; 1 Piece Solid; Eccentric Collar Mount; Cast Iron; Ball Bearing; 1-27/64" Length Thru Bore; Relubricatabl
Other Features	Single Row Standard Duty Narrow Inner Race Open End Y Bearing
Category	Flange Block
UNSPSC	31171501
Harmonized Tariff Code	8483.20.40.40
Noun	Bearing
Keyword String	Flanged
Manufacturer URL	http://www.skf.com
Manufacturer Item Number	FYT 1.3/16 FM
Weight / LBS	2.1
Bolt Spacing	4.594 Inch 116.7 Millimeter
Cartridge Pilot Depth	0 Inch 0 Millimeter
Length Thru Bore	1.422 Inch 36.119 Millimeter
Nominal Bolt Circle Diameter Round	4.6 Inch 117 Millimeter
Bore	1.188 Inch 30.175 Millimeter



NTN Driveshaft CORP.

Cartridge Pilot Diameter

0 Inch 0 Millimeter
