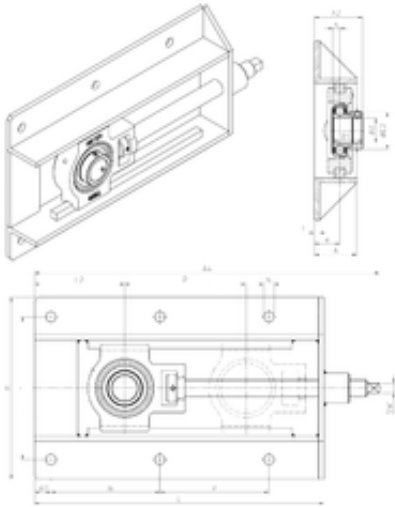




NTN Driveshaft CORP.

SNR EST211+WB bearing units

Bearing No. EST211+WB



EST211+WB Bearing 2D drawings and 3D CAD models

Bore Diameter	55 mm
d	55 mm
A4	631 mm
P	300 mm
e	38 mm
L2	114 mm
s	12 mm
SW	19 mm
A	65 mm
B1	48,4 mm
D2	76,2 mm
H	301 mm
J	240 mm
L	542 mm
M	230 mm
M1	22 mm
N	15 mm
T	6 mm
A2	74,4 mm
Weight	18,2 Kg
Basic dynamic load rating (C)	43,55 kN
A1	22 mm
B	32.5 mm
A5	20.5 mm
d1	74.5 mm
G	M6x1



NTN Driveshaft CORP.

H1	130 mm
H2	102 mm
L1	106 mm
L3	95 mm
N1	25 mm
N2	64 mm
s1	36.95 mm
S	12 mm
C	43.55 kN
C0	29.2 kN
T min.	-20 ° C
T max.	100 ° C
Recommended tightening torque for set screw	22 Nm
Designation of housing	T211-
Designation of bearing	ES211G2