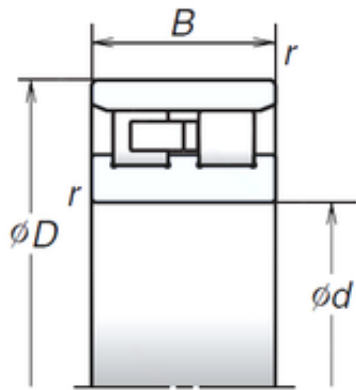




NTN Driveshaft CORP.



*Cylindrical Bore

60 mm x 95 mm x 26 mm NSK NN3012MB
cylindrical roller bearings

Bearing No. NN3012MB

Size	60x86.1x26 mm
Bore Diameter	60 mm
Outer Diameter	86,1 mm
Width	26 mm
d	60 mm
D	95 mm
E	86,1 mm
B	26 mm
C	26 mm
r min.	1,1 mm
Weight	0,693 Kg
Basic dynamic load rating (C)	73,5 kN
Basic static load rating (C0)	106 kN
(Grease) Lubrication Speed	9 700 r/min

NN3012MB Bearing 2D drawings and 3D CAD models