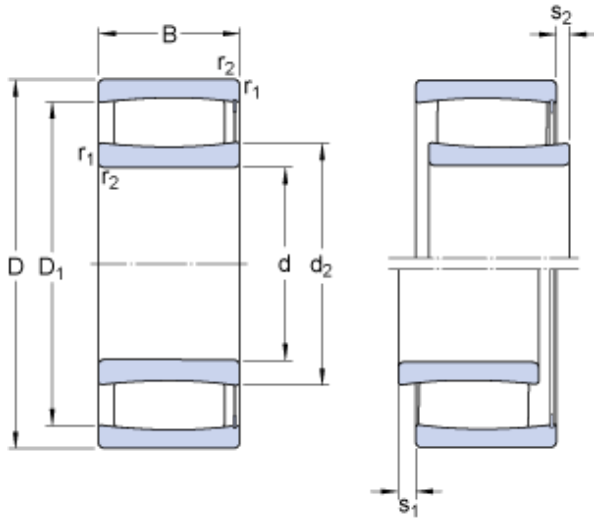




NTN Driveshaft CORP.



130 mm x 210 mm x 80 mm SKF C 4126 V/VE240 cylindrical roller bearings

Bearing No. C 4126 V/VE240

C 4126 V/VE240 Bearing 2D drawings and 3D CAD models

Size	210x130x80 mm
Bore Diameter	210 mm
Outer Diameter	130 mm
Width	80 mm
d	130 mm
D	210 mm
B	80 mm
d ₂	153 mm
D ₁	191 mm
s ₁	9.7 mm
s ₂	9.7 mm
r _{1,2} - min.	2 mm
d _a - min.	141 mm
d _a - max.	174 mm
D _a - max.	199 mm
r _a - max.	2 mm
Basic dynamic load rating - C	750 kN
Basic static load rating - C ₀	1100 kN
Fatigue load limit - P _u	110 kN
Limiting speed	850 r/min
Factor - k ₁	0.09
Factor - k ₂	0.126