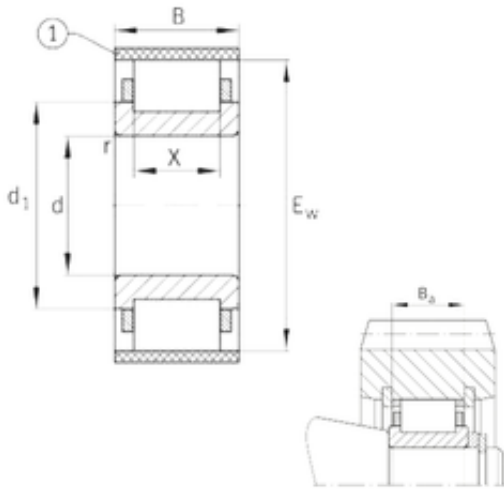




NTN Driveshaft CORP.



FAG RN2328-E-MPBX cylindrical roller bearings

Bearing No. RN2328-E-MPBX

Size	140x264x102 mm
Bore Diameter	140 mm
Outer Diameter	264 mm
Width	102 mm
d	140 mm
Ew	264 mm
B	102 mm
Ba	97,7 mm
X	70 mm
d1	195,4 mm
r min.	4 mm
Weight	22,4 Kg
Basic dynamic load rating (C)	1210 kN
Basic static load rating (C0)	1400 kN

RN2328-E-MPBX Bearing 2D drawings and 3D CAD models